



MAXIMO[®] XT EVOLUTION DYNAMIC

Premium Seat with
Dynamic Damping System[®]



NEW DESIGN



CAPITALseating

www.capitalseating.co.uk

tel: +44 (0)116 216 9910 | email: grammer@capitalseating.co.uk

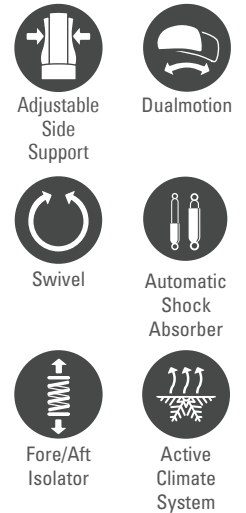


GRAMMER

TECHNICAL DATA

MAXIMO® XT EVOLUTION DYNAMIC

The Dynamic Damping System raises the bar for comfortable sitting in passive-suspension seats for large tractors. An active seat climate system with removal of body moisture additionally enhances comfort by making sure that the operator never again has to sit in a pool of sweat. The Maximo XT Evolution Dynamic optionally offers a console for the application of multifunctional armrests.

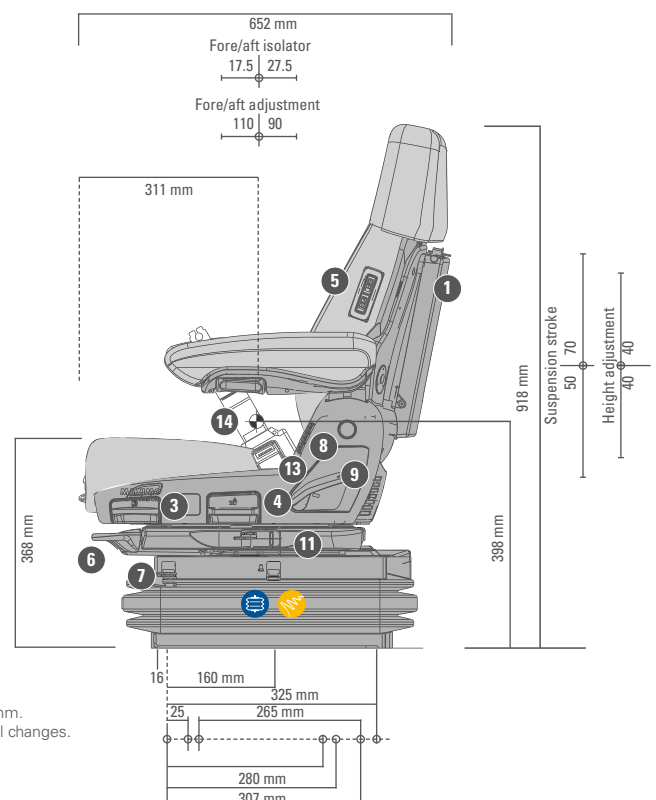
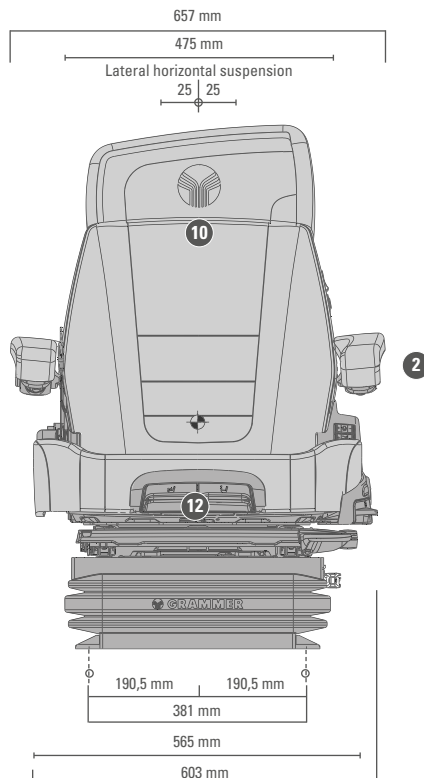


Features ● Standard ○ Optional

	Maximo® XT Evolution Dynamic
Article no. fabric	1388488
① Document box	●
APS (Automatic positioning system)	●
② Armrest left , height-adjustable and foldable 80 x 380 mm, adjustable angle	●
Shock absorber , automatic	●
③ Swivel adjustable range 15°	●
● Pneumatic suspension with 12 V compressor	●
● Dynamic Damping System®	●
Suspension stroke , 120 mm	●
Weight adjustment , active (electronic)	●
④ Height adjustment 80 mm infinite (air-assisted)	●
⑤ Climate system , active	●
Seat heating , 2 steps	●

	Maximo® XT Evolution Dynamic
⑥ Fore/aft adjustment 200 mm	●
⑦ Fore/aft isolator	●
⑧ Lumbar support , pneumatic	●
⑨ Adjustable backrest angle	●
⑩ Adaptive backrest Dualmotion	●
⑪ Lateral suspension	●
Seat cushion width	550 mm
Operator presence switch (OPS)	●
⑫ Adjustable seat cushion depth and angle	●
⑬ Adjustable side support	●
⑭ Restraint system	●
Armrest right , 80 x 380 mm	○
Console for multifunctional armrest	○

Measurements (installation dimensions)



All dimensions in mm.
Subject to technical changes.